

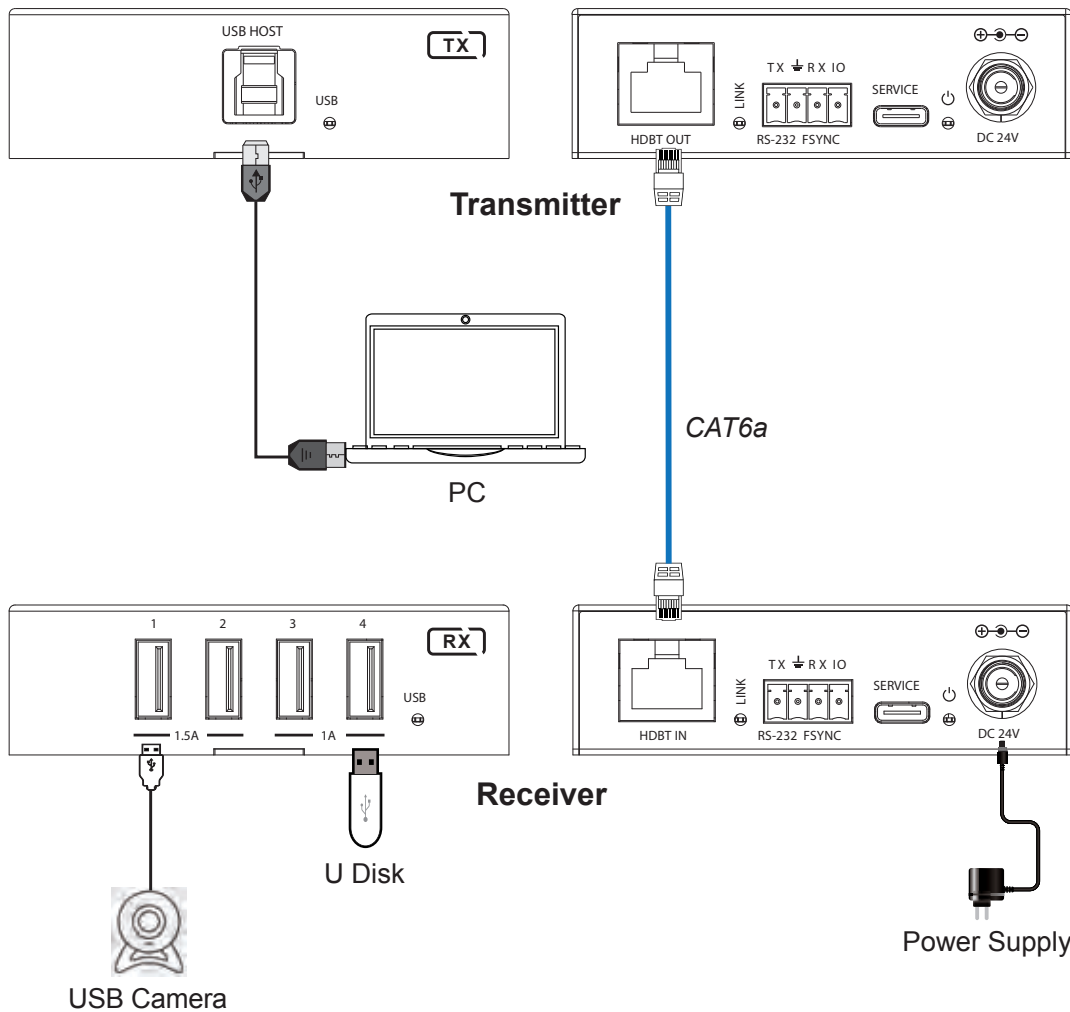
USB

USB 3.2 5Gbps 10.2 Gbps Extender - TPU3B32

- › USB 3.2 extension **up to 100 m on CAT6a cable**
- › USB 3.2 Gen 1 connectivity **up to 5 Gbit/s** with data transfer rate
- › Backward compatible with USB 2.0 and 1.1
- › Hardware acceleration for isochronous and bulk transfer
- › RX USB-A 2 ports supply 5V at 1,500 mA and 2 other ports supply 5V at 1 A
- › Plug-and-play: no drivers, downloads or software required
- › Pass-through RS-232
- › Pass-through FSYNC GPIO for industrial camera use
- › Supports bi-directional **24 V POC** (power over cable) : when the TX or RX is powered, the other end does not need an external power supply



DIAGRAM



Weight (g)	Tx : 253, Rx : 260
Dimensions WxDxH (mm)	Tx / Rx : 85 x 100 x 25.5
Consumption	PoC : 40W (max)

