

HDBASE-T

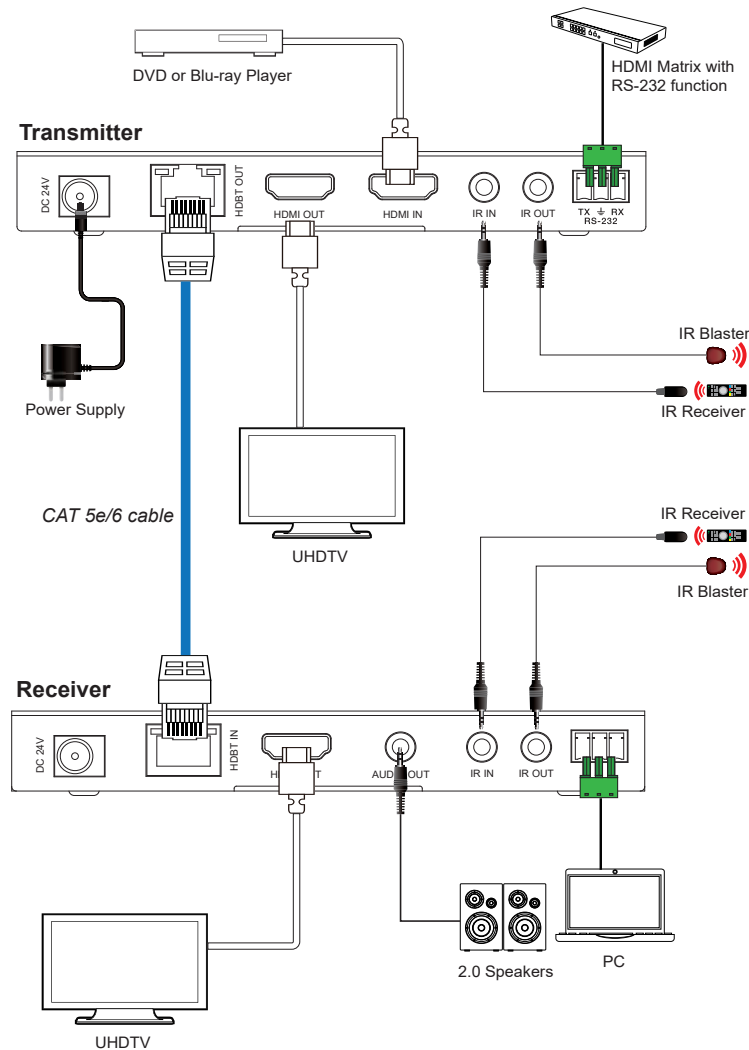


HDBaseT Extender 4K@60Hz 4:4:4 - TP100P-H2

- › Compliant with HDMI2.0, HDCP 2.2 / HDCP 1.4 and DVI 1.0
- › Video bandwidth **18 Gbit/s**
- › Maximum transmission distance via Cat5e/6 cable
 - 120 meters** for 4Kx2K signal
 - 150 meters** for 1080P signal
- › Supports **HDMI loop-through output on transmitter**
- › **Audio de-embedding** to analog stereo output on receiver
- › Bi-directional IR pass-through, RS-232 and CEC
- › HDR, HDR10+, Dolby Vision and HLG features supported
- › Supports PoC (Power over Cable)
- › Compact design for easy, flexible installation



DIAGRAM



Weight (g)	Tx : 160, Rx : 155
Dimensions WxDxH (mm)	Tx / Rx : 140 x 65 x 18
Consumption	In : AC 100 - 240V 50/60Hz Out : DC 24V/1A 9.36 W (verrouillage)

