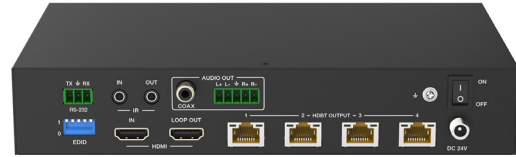


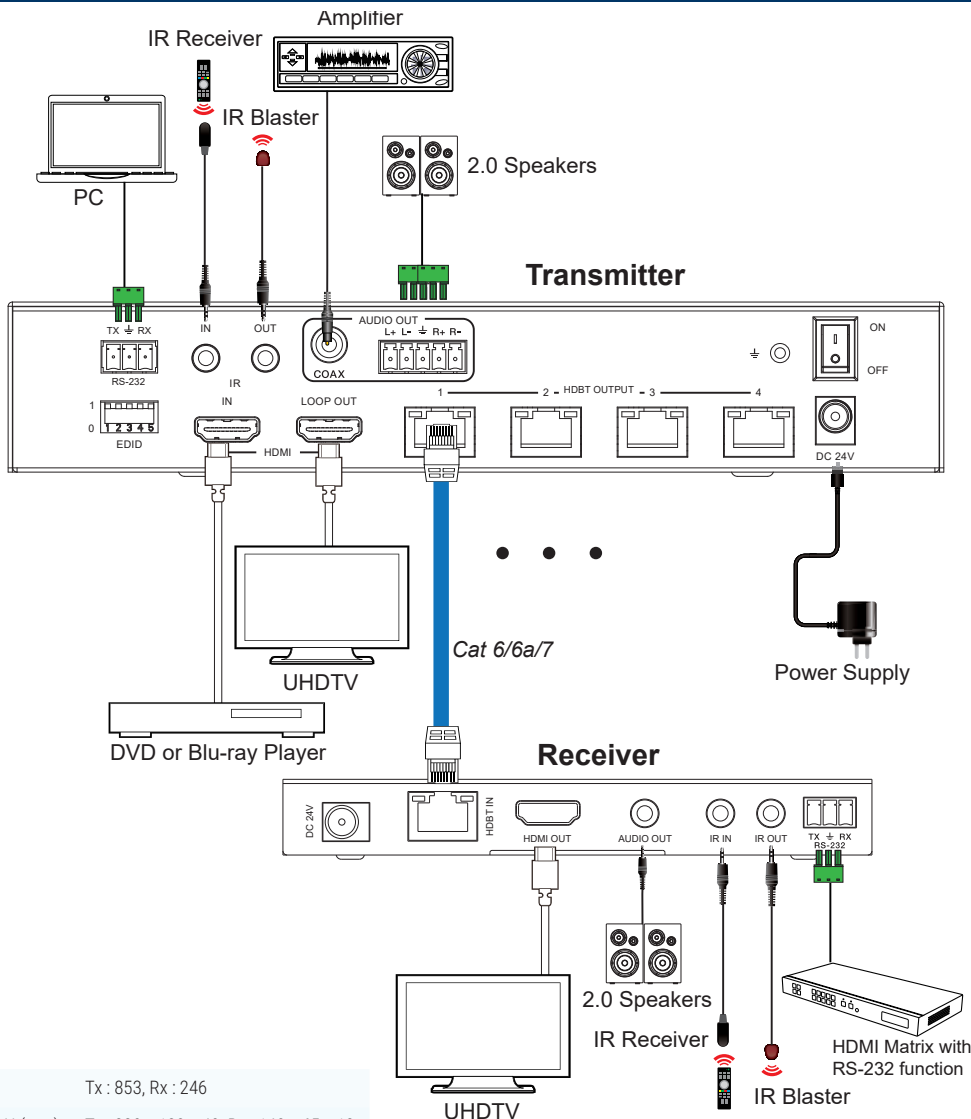
HDBASE-T

HDBaseT Splitter 4K@60Hz 4:4:4 - SP141TH2-4K V2

- › HDMI 2.0b, HDCP 2.2
- › Up to 4Kx2K@60 Hz with RGB/YCBCR 4:4:4 24-bit
- › Supports HDR, HDR10+, HLG & Dolby Vision
- › 1 HDMI input with Loop output, **4 HDBaseT outputs**
- › Supports audio signal up to 7.1 CH HD
- › Digital and analog audio de-embedded
- › **HDMI 1080P60 up to 150 m, 4Kx2K up to 120 m**
- › IR bidirectional and RS-232 over HDBaseT
- › POC 24 V from TX to RX
- › Supplied with 4 HDBaseT receivers



DIAGRAM



Weight (g)	Tx : 853, Rx : 246
Dimensions WxDxH (mm)	Tx : 220 x 130 x 40, Rx : 140 x 65 x 18
Consumption	In : AC100 - 240V 50/60Hz, Out : DC 24V/2.7A 35W

