

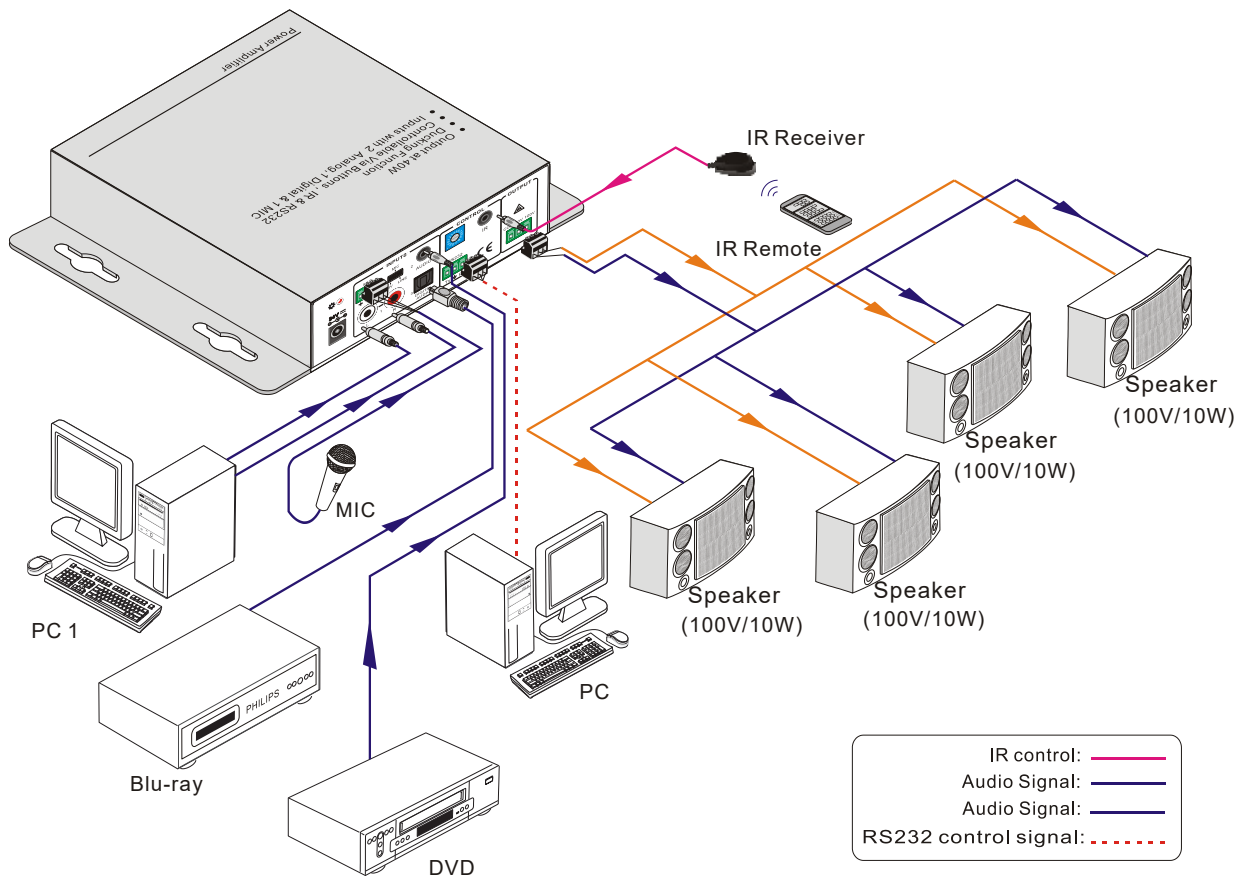
# AUDIO

## Audio amplifier 40W (70V/100V) - AMP3V

- > 3-level MIC input, supports condenser/dynamic/ wireless MIC
- > Stereo or Bridge output selection
- > MIC supports balanced/unbalanced signal
- > MIC with 48V phantom power option switchable to Line input
- > Volume / Bass / Treble control via buttons, RS-232
- > LOOP output for cascading to other AMP3V
- > DC 24V power supply
- > Class D



### DIAGRAM



Weight (g)	860
Dimensions WxDxH (mm)	130 x 44 x 144
Consumption	DC 24V 2.71A 5W

